



NSP SERIES

ROCK MIGHTY DRILL

Hydraulically Driven Compact Rotary Percussion Drill



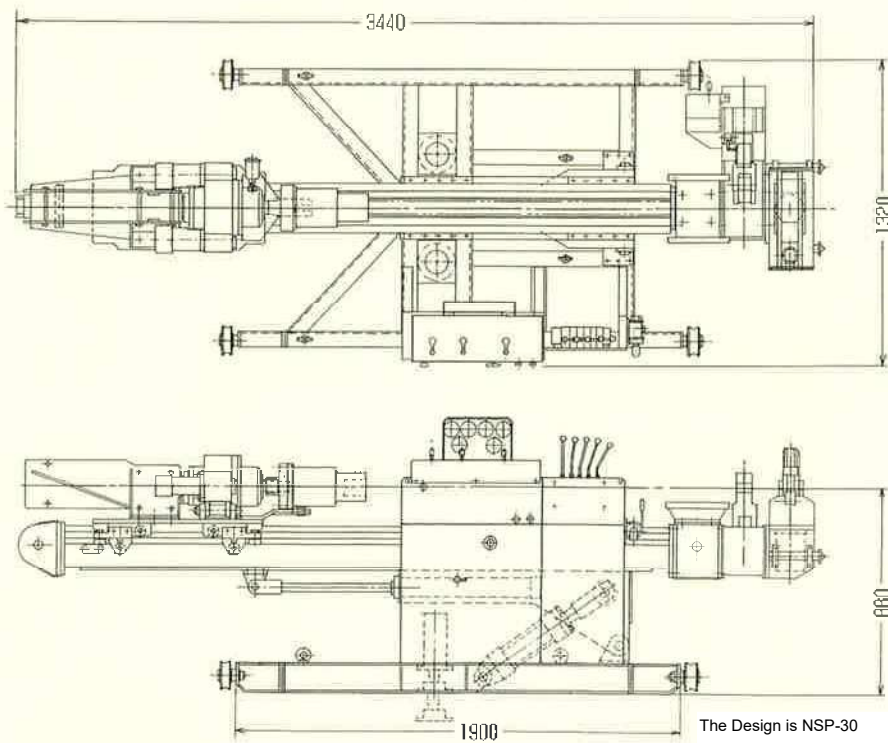
Features

- Easy Scaffolding and carry-in to not easily accessible job sites are realized because of its compact design and light weight.
- Applicable to operations on Liner Plate and in a narrow pit.
- High torque in a compact body design.
- Spindle spins clockwise, which makes it possible to use casing and air hammer.

Application

- Rock Bolt Construction
- Grouting operation
- De-watering Operation
- Anchoring
- Other Drilling Construction





SPECIFICATIONS

	NSP-30	NSP-30V	NSP-37V
Spindle RPM	35 rpm, 65 rpm		
Spindle Torque	2940 N·m / 1470 N·m		3900 N·m / 1950 N·m
BPM	550-880 bpm		
Striking Force	0-540 N·m		
Applicable Casing	96, 118, 133mm		
Drilling Capacity	20-30m		30-50m
	(Restricted by soil/rock formation)		
Drilling Angle	Upward 5°- Downward 45°	Upward 30°- Downward 90°	
Thrust	19.6 kN (at 14 Mpa)		21.5 kN (at 17 Mpa)
Pull	26.4 kN (at 14 Mpa)		31.8 kN (at 17 Mpa)
Stroke	1700mm		
Hydraulic Unit	Electric Motor 30 kW-4P		
	High Pressure Double Pump		
Pressure (rotation)	Max. 15 Mpa	Max. 18 Mpa	
Pressure (Percussion)	Max. 14 Mpa		
Tank Capacity	350 L		
Weight (Main Body)	1500 kg		1750 kg
Weight (Hydraulic Unit)	900 kg		1100 kg



N L C CO., LTD.

Head Office Happy Sewing Machine Bldg. 6th Floor 2-9-5, Taito,
Taito-ku, Tokyo, 110-0016
TEL: 81-3-3837-3381 FAX: 81-3-3837-3386

Ver. 01 Aug 2020
© 2020 NLC Co., Ltd